

EVAFLEX® 5 -SE-VT

0.5mm Pitch
Vertical Type / Non-ZIF Type



EVAFLEX® 5-SE is well known as a connector that features one step FFC insertion with auto lock structure.

Now the vertical type of EVAFLEX® 5-SE has just been added as a new line-up, called "EVAFLEX® 5-SE-VT". Simple one step operation and auto lock function, those features still remain, and combination of horizontal and vertical type bring connection flexibility*.

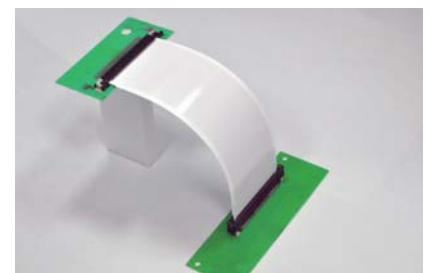
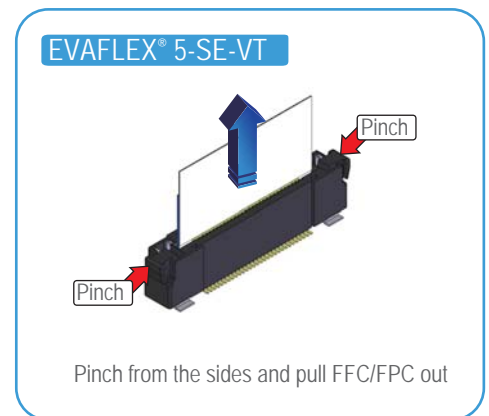
EVAFLEX® 5-SE Series are suitable in various applications, also the best choice for Car electronics, FA, OA that require a heavy-duty connector.

*FFC for EVAFLEX® 5-SE and EVAFLEX® 5-SE-VT shares common notch.

【Features】

- Easy, reliable, high productivity
High productivity is provided by an easy and reliable mating operation by Non-ZIF and auto lock structures
- Audible click and tactile feel
Insures proper mating and positive locking of FFC/FPC^{*1}
- Higher reliable connection
Highly reliable contact by I-PEX's unique W-point contact structure
- High retention force lock structure
Prevents the FFC/FPC from losing connection during high shock and vibration situations
- Signal contact : Solder tail side

【FFC/FPC Un-locking method】



EVAFLEX® 5-SE(Horizontal mating)
& EVAFLEX® 5-SE-VT(Vertical mating)

【Number of Positions】

16p, 22p, 24p, 26p, 30p,
40p, 45p, 50p, 60p, 80p

【Ordering Code】

20539-0 $\frac{**}{①}$ $\frac{E}{②}$ - 01

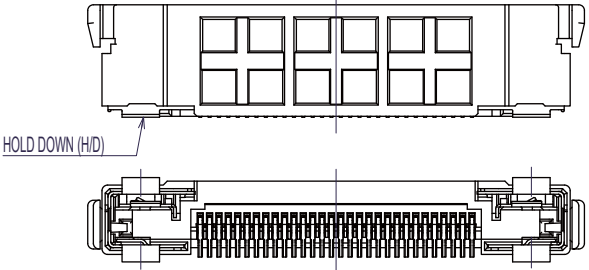
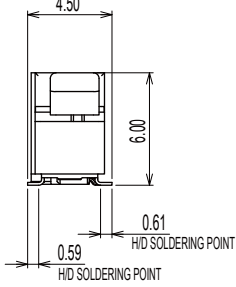
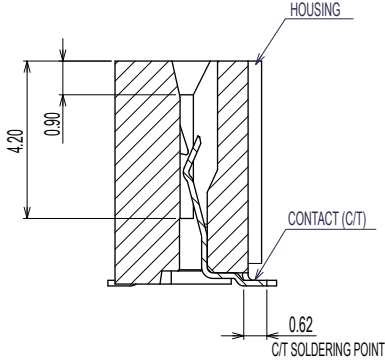
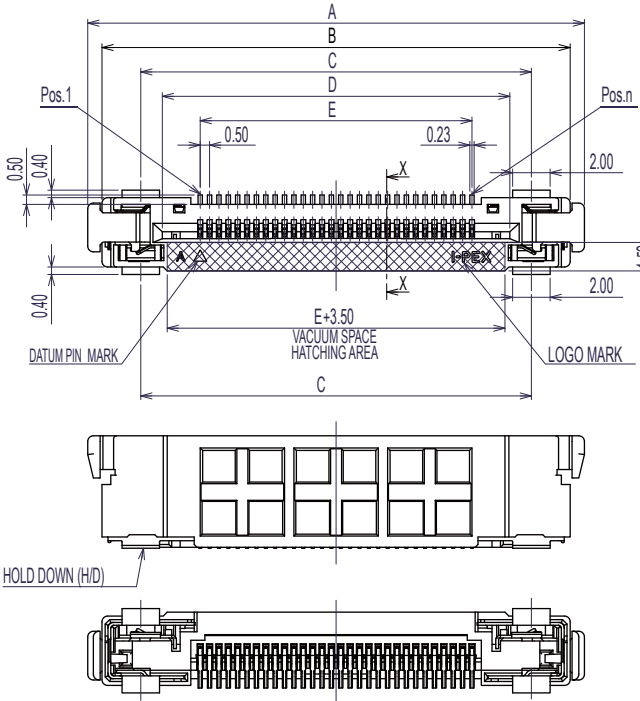
【Applicable cable】

FFC or FPC^{*2}

①	POS.	16: 16pos	22: 22pos	24: 24pos	26: 26pos	30: 30pos	40: 40pos	45: 45pos	50: 50pos	60: 60pos	80: 80pos
②	Packaging	E	Emboss Tape								

*1 : By a combination of FFC/FPC, audible click and tactile feel change may occur.

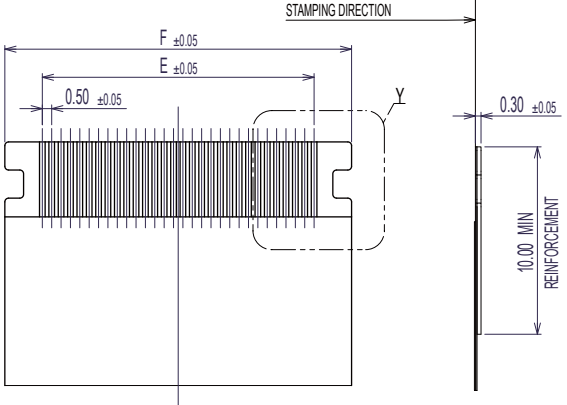
*2 : Please contact us for the FFC/FPC drawing and specification.



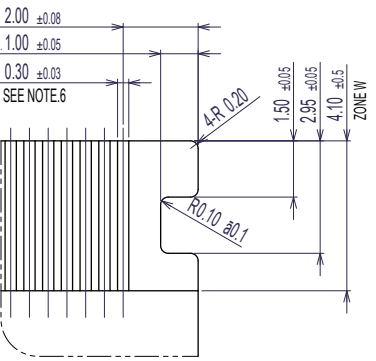
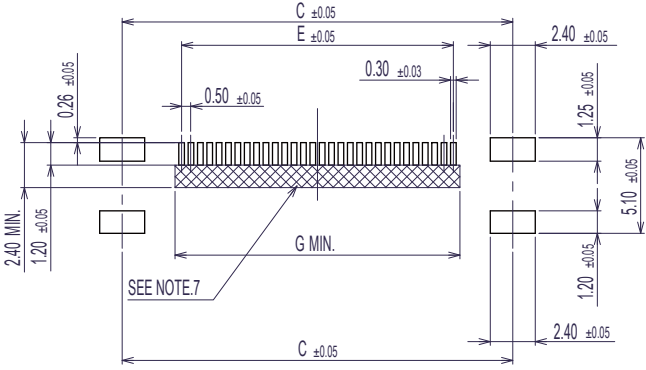
【Material / Finish】

Parts	Material	Plating / Color
HOUSING	LCP UL94V-0	BLACK
CONTACT	COPPER ALLOY	Au
HOLD DOWN	COPPER ALLOY	Sn

RECOMMENDED FFC/FPC LAYOUT



RECOMMENDED PCB & METAL MASK LAYOUT
RECOMMENDED METAL MASK THICKNESS : t=0.12mm



POS.	A	B	C	D	E	F	G
16	19.50	17.98	13.84	11.56	7.50	11.50	8.20
22	22.50	20.98	16.84	14.56	10.50	14.50	11.20
24	23.50	21.98	17.84	15.56	11.50	15.50	12.20
26	24.50	22.98	18.84	16.56	12.50	16.50	13.20
30	26.50	24.98	20.84	18.56	14.50	18.50	15.20
40	31.50	29.98	25.84	23.56	19.50	23.50	20.20
45	34.00	32.48	28.34	26.06	22.00	26.00	22.70
50	36.50	34.98	30.84	28.56	24.50	28.50	25.20
60	41.50	39.98	35.84	33.56	29.50	33.50	30.20
80	51.50	49.98	45.84	43.56	39.50	43.50	40.20